

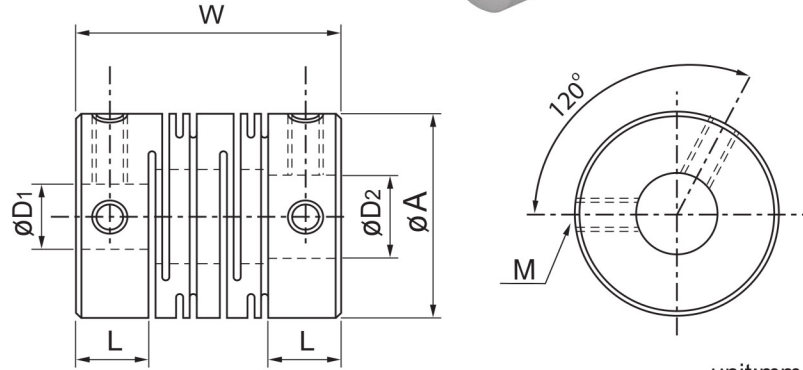
## MFC Flex couplings



- **Body material** : Aluminum alloy
- **Surface Treatment** : Anodizing standard white

### ■ Features

- One-body shape
- Zero backlash
- High rigid
- Suitable for encoder , low horsepower transmission bodies and high precision transmission mechanism.
- High deflection
- **Fixed mode** : Set screw type



unit:mm

## DIMENSION

Product No	A	L	W	Stock Bores D1xD2 (H8)		M
				Min D1	Max D2	
MFC-16	16	6.5	23	4	8	M3
MFC-20	20	7.5	26	5	10	M3
MFC-25	25	8.5	31	6	12	M4
MFC-32	32	12	41	6	14	M4
MFC-40	40	17	56	8	16	M5
MFC-50	50	21	71	10	18	M6

## SPECIFICATIONS

\*Max. Bore Moment of Inertia

\*\*Max. Bore Mass

Product No	Rated Torque (N.m)	Max. Torque (N.m)	Max. Rotational Frequency. (min <sup>-1</sup> )	Moment* of Inertia (kg.m <sup>2</sup> )	Error of Eccentricity (mm)	Errors of Angularity (°)	Errors of Shaft End-play (mm)	Mass** (g)
MFC-16	0.3	0.6	24000	$3.4 \times 10^{-7}$	0.10	2°	± 0.4	8.2
MFC-20	0.5	1.0	19000	$8.6 \times 10^{-7}$	0.10	2°	± 0.4	15
MFC-25	1.1	2.2	15000	$2.2 \times 10^{-6}$	0.15	2°	± 0.5	28
MFC-32	2.0	4.0	12000	$9.0 \times 10^{-6}$	0.15	2°	± 0.5	63
MFC-40	5.0	10.0	9600	$2.8 \times 10^{-5}$	0.20	2°	± 0.5	128
MFC-50	10.0	20.0	7700	$1.1 \times 10^{-4}$	0.20	2°	± 0.5	250

### ■ When Ordering

When Placing an order, make sure to include product No. and stock bores (both sides) of product.

MFC-25- $\phi 8 - \phi 10$  Product No : D1 D2