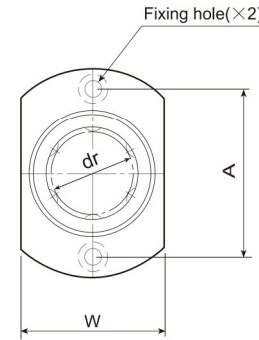
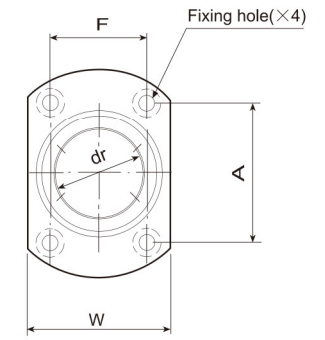
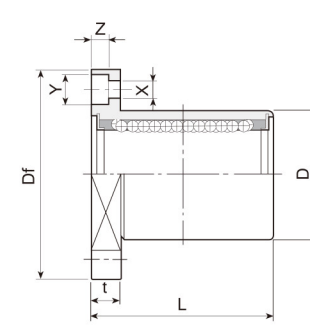


## LMH Two Side Cut Flange Type (Metric Dimension)



LMH 13 or less



LMH 16 or more

Nominal shaft diameter mm	Model No.	Main dimensions and tolerance					
	LMH...UU	dr		D		L	
		mm	Tolerance $\mu\text{m}$	mm	Tolerance $\mu\text{m}$	mm	Tolerance $\mu\text{m}$
6	LMH 6UU	6	0	12	0	19	0
8	LMH 8UU	8		15	-13	24	-200
10	LMH 10UU	10		19	0	29	0
12	LMH 12UU	12		21		30	
13	LMH 13UU	13	23	-16	32	0	
16	LMH 16UU	16	28	-10	37	-200	
20	LMH 20UU	20	32		0	42	0
25	LMH 25UU	25	40		-19	59	
30	LMH 30UU	30	45	-19	64	-300	

Main dimensions and tolerance								Eccentricity $\mu\text{m}$	Squareness $\mu\text{m}$	Basic load rating		Weight g	Nominal shaft diameter mm
Flange										dynamic C(kgf)	static Co(kgf)		
Df mm	W mm	t mm	A mm	F mm	X mm	Y mm	Z mm						
28	18	5	20	—	3.5	6	3.1	12	12	21	27	21	6
32	21	5	24	—	3.5	6	3.1			28	40	33	8
40	25	6	29	—	4.5	7.5	4.1			38	56	64	10
42	27	6	32	—	4.5	7.5	4.1			52	80	68	12
43	29	6	33	—	4.5	7.5	4.1			52	80	81	13
48	34	6	31	22	4.5	7.5	4.1			79	120	112	16
54	38	8	36	24	5.5	9	5.1	15	15	90	140	167	20
62	46	8	40	32	5.5	9	5.1			100	160	325	25
74	51	10	49	35	6.6	11	6.1			160	279	388	30