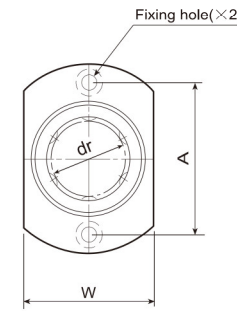
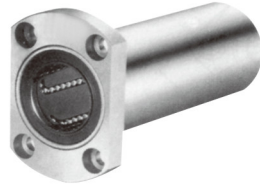
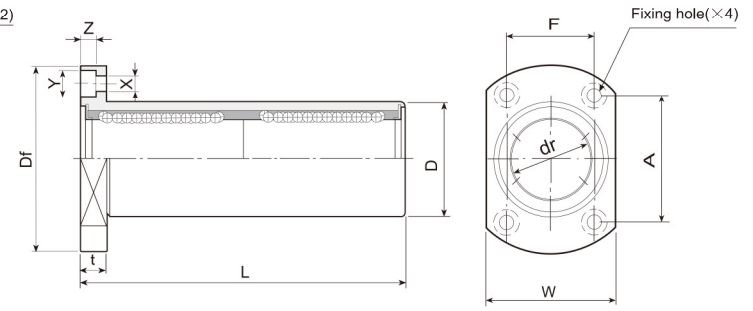


## LMH...L

Two Side Cut Flange Double Type (Metric Dimension)



LMH 13L or less



LMH 16L or more

Nominal shaft diameter mm	Model No.	Main dimensions and tolerance						
	LMH...LUU	dr		D		L		
		mm	Tolerance μm	mm	Tolerance μm	mm	Tolerance μm	
6	LMH 6LUU	6	0	12	0	35	0	
8	LMH 8LUU	8		15	-13	45		
10	LMH 10LUU	10		19	0	55		
12	LMH 12LUU	12		21		57		
13	LMH 13LUU	13	-10	23	-16	61	0	
16	LMH 16LUU	16		28	70	-300		
20	LMH 20LUU	20	0	32	0	80	0	
25	LMH 25LUU	25		40		-19		112
30	LMH 30LUU	30		45		-12		123

Main dimensions and tolerance								Eccentricity μm	Squareness μm	Basic load rating		Weight g	Nominal shaft diameter mm
Flange										dynamic C(kgf)	static Co(kgf)		
Df mm	W mm	t mm	A mm	F mm	X mm	Y mm	Z mm						
28	18	5	20	—	3.5	6	3.1	15	15	33	54	28	<b>6</b>
32	21	5	24	—	3.5	6	3.1			44	80	47	<b>8</b>
40	25	6	29	—	4.5	7.5	4.1			60	112	90	<b>10</b>
42	27	6	32	—	4.5	7.5	4.1			83	160	102	<b>12</b>
43	29	6	33	—	4.5	7.5	4.1			83	160	123	<b>13</b>
48	34	6	31	22	4.5	7.5	4.1	20	20	125	240	182	<b>16</b>
54	38	8	36	24	5.5	9	5.1			143	279	247	<b>20</b>
62	46	8	40	32	5.5	9	5.1			159	320	525	<b>25</b>
74	51	10	49	35	6.6	11	6.1			254	560	645	<b>30</b>