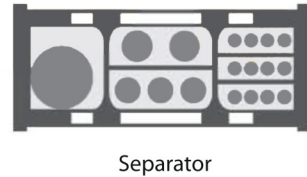
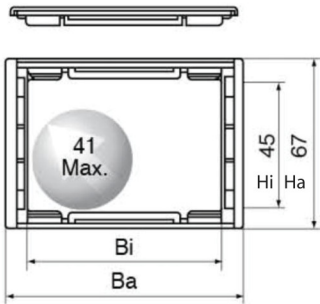


## SERIES OF-J45Q.1.S

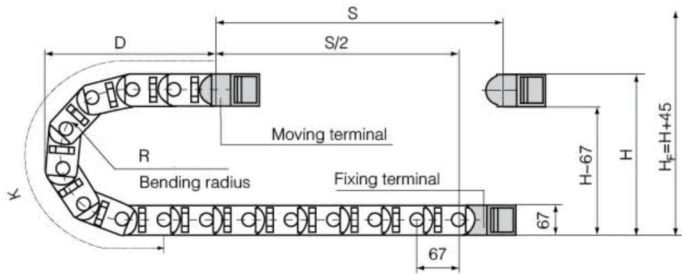
Series of J45Q.1.S—Bridge type open of both side



### ● Delineation



### ● Basic technical data



● Pitch=67mm, link per meter=15, length of chain=S/2+K, S=stroke, K=π.R+“safety ratio”

R	100	125	150	175	200	225	250	300
H	267	317	367	417	467	517	567	667
D	201	226	251	275	301	326	351	401
K	469	536	670	737	804	871	938	1139

Actual mounting height:  $H_f = H + 45\text{mm}$  (load 2.2kg/m)

● Series of J45Q.1.S—Bridge type open of both side

Series No.	Hi	Bi	Ha	Ba	Styles	Bending radius R	Bracket type and parameters							No.	
							Applicable bracket type	Bore diameter $\phi 1$	Hole distance (mm)						
									A	B	C	D	E		F
J45Q.1.50S	45	50	67	74	Q.S	100.125.150.175.200.225.250.300	F-Q	6	24	65.5	94	26	15.5	80	J45Q.1.50S-FJT
J45Q.1.60S	45	60 (HP)	67	84	Q.S	100.125.150.175.200.225.250.300	F-Q	6	24	75.5	94	26	15.5	90	J45Q.1.60S-FJT
J45Q.1.75S	45	75	67	99	Q.S	100.125.150.175.200.225.250.300	F-Q	6	24	90.5	94	26	15.5	105	J45Q.1.75S-FJT
J45Q.1.90S	45	90 (HP)	67	114	Q.S	100.125.150.175.200.225.250.300	F-Q	6	24	105.5	94	26	15.5	120	J45Q.1.90S-FJT
J45Q.1.100S	45	100	67	124	Q.S	100.125.150.175.200.225.250.300	F-Q	6	24	115.5	94	26	15.5	130	J45Q.1.100S-FJT
J45Q.1.117S	45	117 (HP)	67	141	Q.S	100.125.150.175.200.225.250.300	F-Q	6	24	132.5	94	26	15.5	147	J45Q.1.117S-FJT
J45Q.1.125S	45	125	67	149	Q.S	100.125.150.175.200.225.250.300	F-Q	6	24	140.5	94	26	15.5	155	J45Q.1.125S-FJT
J45Q.1.130S	45	130 (HP)	67	154	Q.S	100.125.150.175.200.225.250.300	F-Q	6	24	145.5	94	26	15.5	160	J45Q.1.130S-FJT
J45Q.1.150S	45	150	67	174	Q.S	100.125.150.175.200.225.250.300	F-Q	6	24	165.5	94	26	15.5	180	J45Q.1.150S-FJT
J45Q.1.154S	45	154 (HP)	67	178	Q.S	100.125.150.175.200.225.250.300	F-Q	6	24	169.5	94	26	15.5	184	J45Q.1.154S-FJT
J45Q.1.175S	45	175	67	199	Q.S	100.125.150.175.200.225.250.300	F-Q	6	24	190.5	94	26	15.5	205	J45Q.1.175S-FJT
J45Q.1.200S	45	200	67	224	Q.S	100.125.150.175.200.225.250.300	F-Q	6	24	215.5	94	26	15.5	230	J45Q.1.200S-FJT
J45Q.1.250S	45	250	67	274	Q.S	100.125.150.175.200.225.250.300	F-Q	6	24	265.5	94	26	15.5	280	J45Q.1.250S-FJT
J45Q.1.300S	45	300 (HP)	67	324	Q.S	100.125.150.175.200.225.250.300	F-Q	6	24	315.5	94	26	15.5	330	J45Q.1.300S-FJT

● Note: “S” indicates that the both sides open.

● Connector mounting dimension drawing

