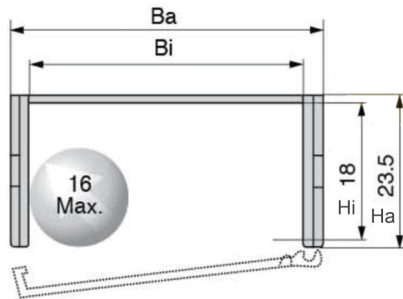


SERIES OF-J18BF.1.N

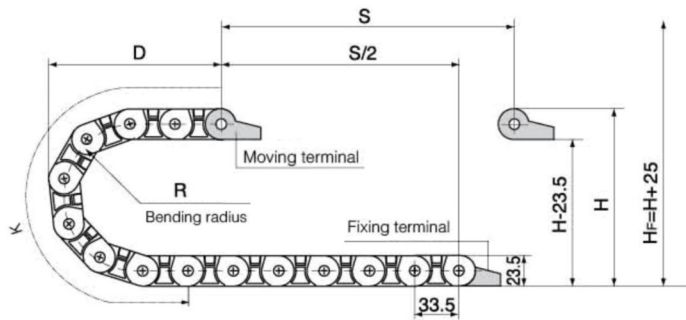
Series of J18BF.1.N-Semi-enclosed interior opening



● Delineation



● Basic technical data



● Pitch=33.5mm, link per meter=30, length of chain= $S/2+K$, S=stroke, $K=\pi.R+$ “safety ratio”

R	28	38	48	60	75
H	80	100	120	144	174
D	74	84	94	106	121
K	168	201	235	268	335

Actual mounting height: $H_f=H+25$ mm(load 0.5kg/m)

● Series of J18BF.1.N-Semi-enclosed interior opening

Series No.	Hi	Bi	Ha	Ba	Styles	Bending radius R	Bracket type and parameters							No.
							Applicable bracket type	Bore diameter $\phi 1$	Hole distance (mm)					
									A	B	C	D	E	
J18BF.1.18N	18	18	23.5	29	BF.N	28,38,48	X ₂	5.2 5.2*7L		B1=10 B2=12	33	15	29	J18BF.1.18N-XJT
J18BF.1.25N	18	25	23.5	36	BF.N	28,38,48,60,75	X ₄	5*9.6L	10	B1=16 B2=13.5	38	7.5	36	J18BF.1.25N-XJT
J18BF.1.37N	18	37	23.5	48.5	BF.N	28,38,48,75	X ₄	5.2*7L	11	25	33	6.5	48.5	J18BF.1.37N-XJT
J18BF.1.50N	18	50	23.5	61	BF.N	28,38,48,75	X ₄	5.2*8L	7.6	35	33	4.6	61	J18BF.1.50N-XJT

● Note: “B” indicates that the non opening.

● Connector mounting dimension drawing

