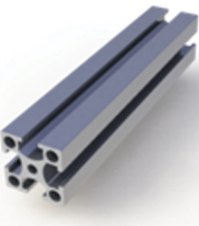
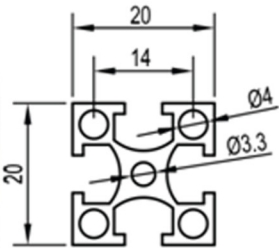


Aluminium Frames 20X20 Series






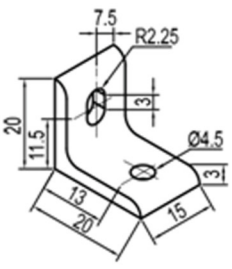
PARTICULARS		SURFACE TREATMENT :
AREA :	1.518 CM ²	ANODICE PLATE
WT :	0.413 KG/M	MATERIAL : 6063-T5
PERIM :	14.242 CM	FACTOR : 17.428
EXT PERIM :	CM	TOLERANCE :

UNSPEC THICKNEES = MM, BREAK ALL SHARP CORNERS = 0.05 MM-R


Name	Profiles / Aluminium Frames
Item No.	SG1207-2020-4000

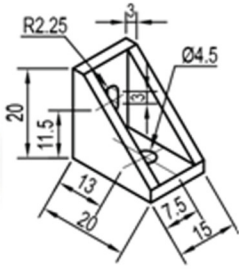
Length	4,000 mm.
---------------	-----------






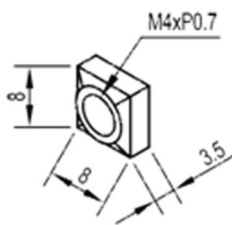
Name	Breaket
Item No.	DAL2015






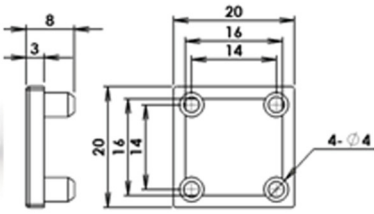
Name	Breaket
Item No.	DCB2015





Name	S-NUT
Item No.	J4M4





Name	End Cap
Item No.	DEC2020

